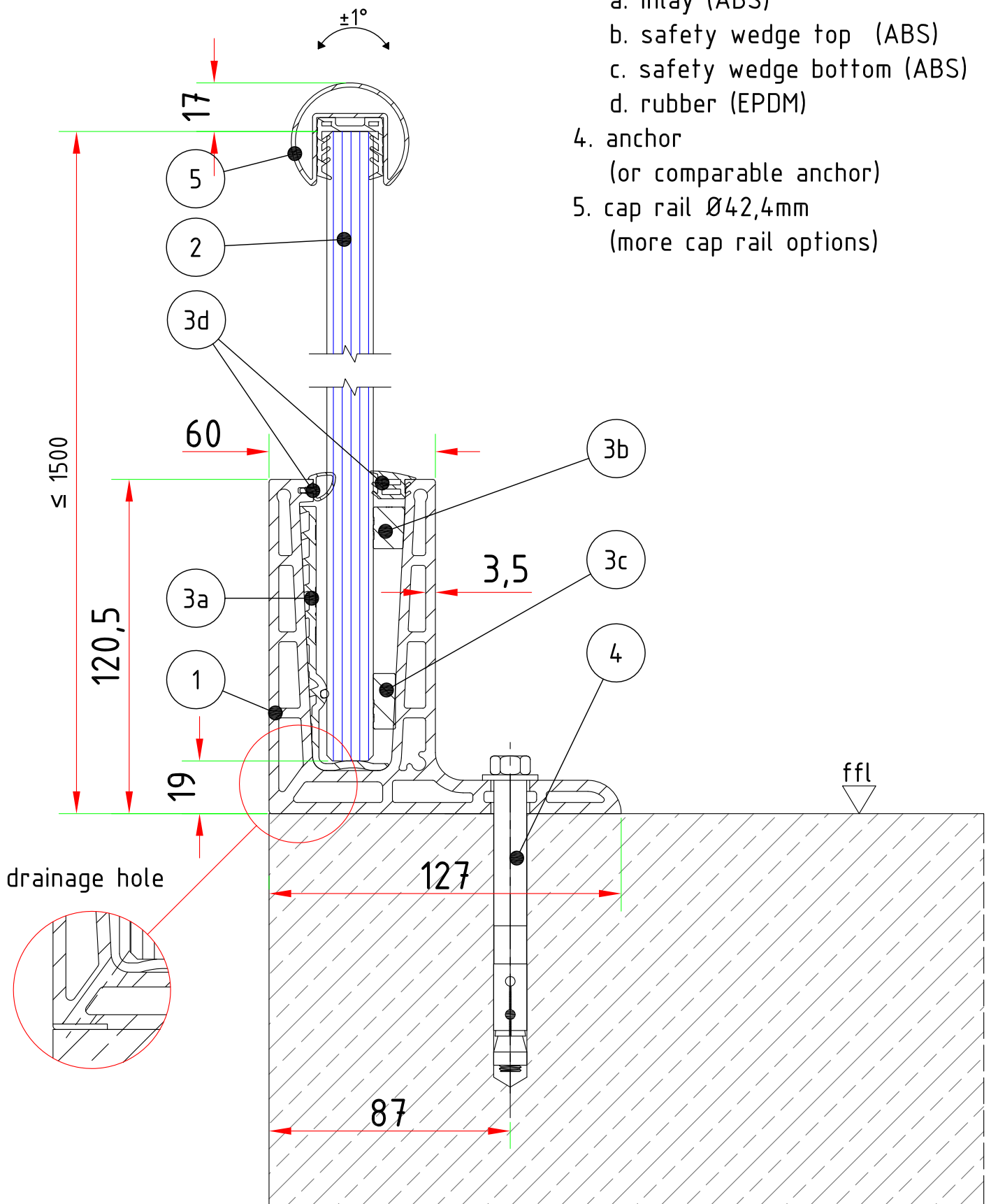


1. profile NEW con Aletta
2. glass 12mm - 21,52mm
3. rubber-set, adjustable
 - a. inlay (ABS)
 - b. safety wedge top (ABS)
 - c. safety wedge bottom (ABS)
 - d. rubber (EPDM)
4. anchor
(or comparable anchor)
5. cap rail $\varnothing 42,4\text{mm}$
(more cap rail options)



Article: PARAPETTO IN VETRO

MOD: 351

Resistenza: fino a 3kN

Date: 23.03.2016

Project: FASCIA SUPERIORE con Aletta (NEW)

CANTIERE:

Scale:

COMMITTENTE

moda
EDILE