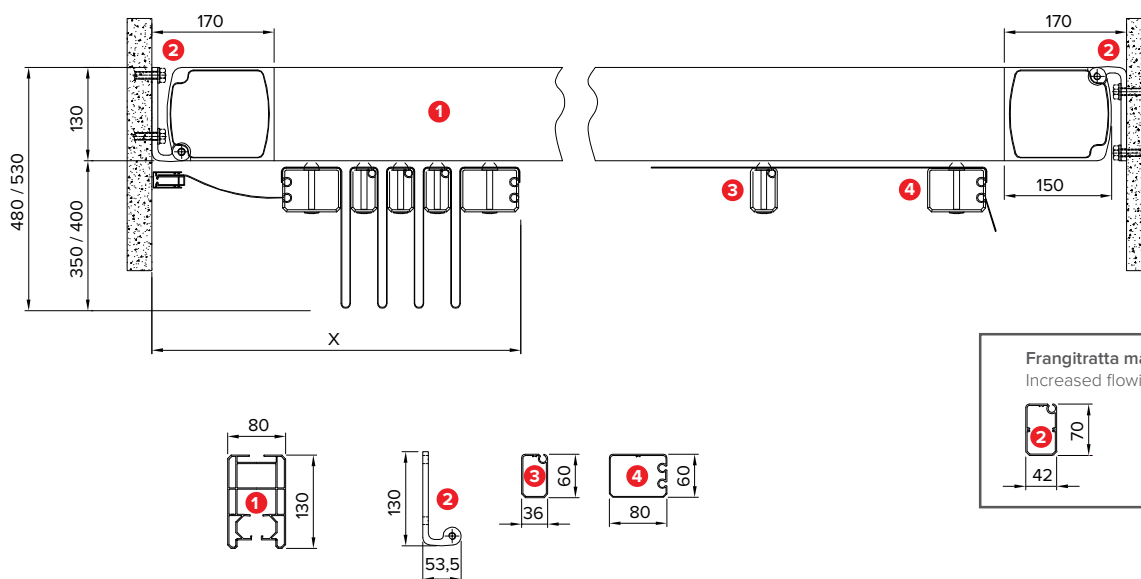
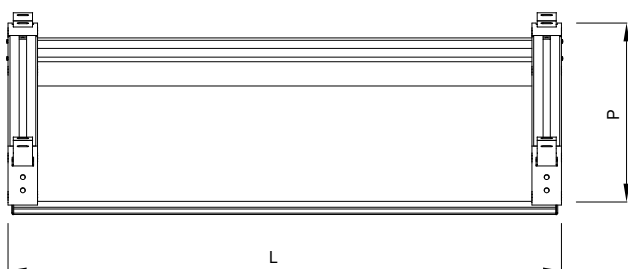


Dati tecnici . Technical data

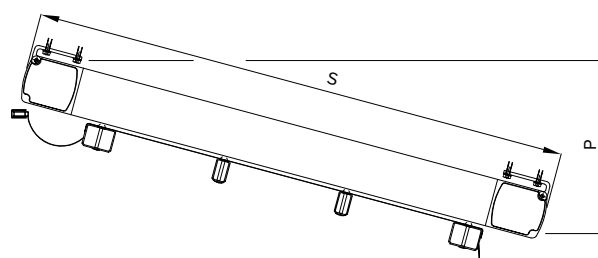
Quote espresse in mm - Dimensions in mm



Vista frontale . Frontal view



Vista laterale . Side view

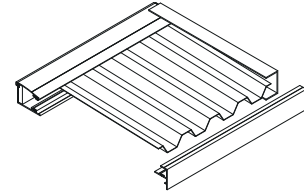
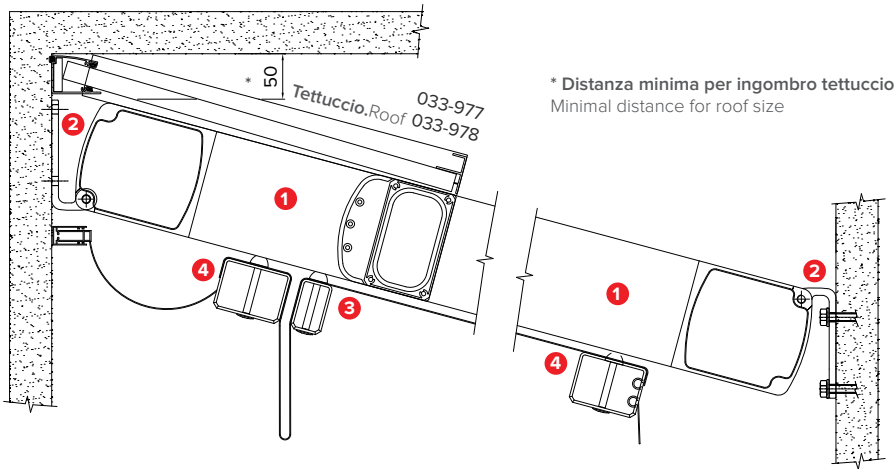


Sporgenza Projection	S cm	200	250	300	350	400	450	500	550	600	650	700	750	830
Pendenza minima Least inclination	P cm	14												
Frangitratta intermedi indicativi Indicative middle flowing profiles	n°	2	3	4	5	6	7	8	9	10	11	12	13	14
Impacchettamento Packing	X cm	47	52	57	62	67	72	77	82	87	92	97	102	107

Dettagli tecnici . Technical details

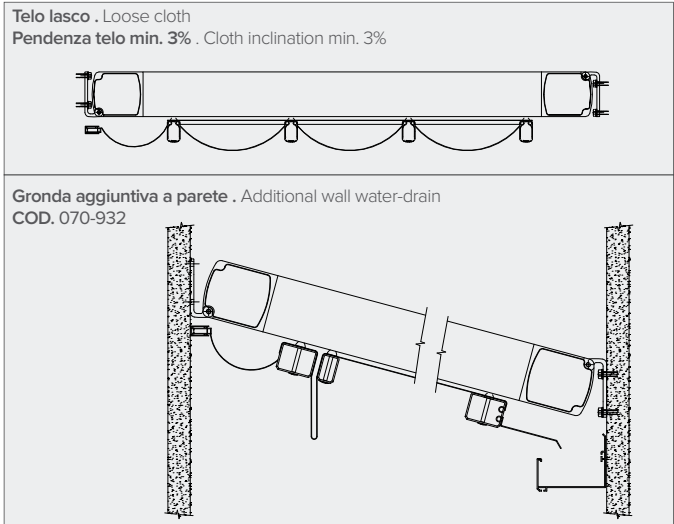
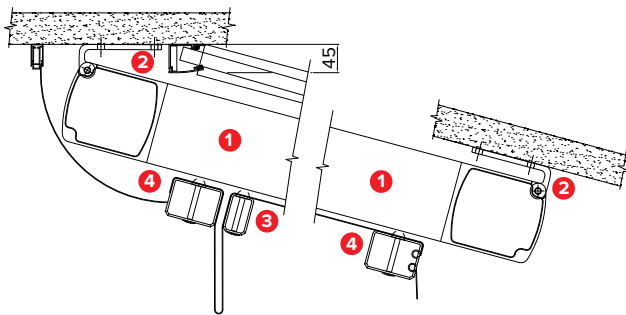
Quote espresse in mm - Dimensions in mm

Dettaglio tettuccio . Roof detail

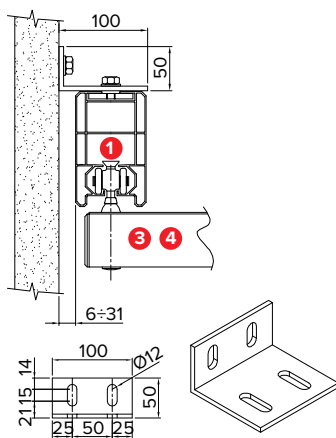


Profili perimetrali in alluminio estruso e supporto frontale 13x8cm.
Extruded aluminum perimetric profiles and frontal support of cm. 13x8

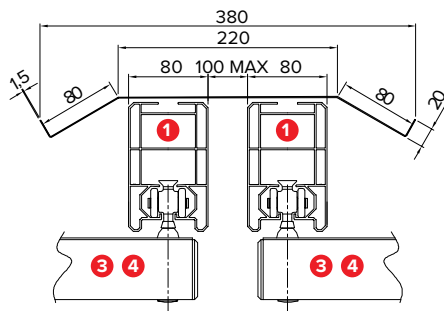
Attacco a soffitto . Ceiling application



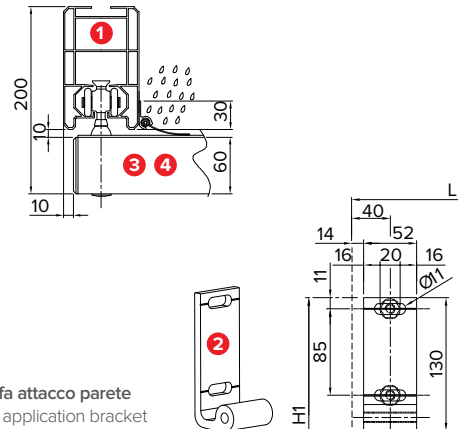
Fissaggio laterale guida . Side rail fixing 047-955



Tettuccio giunzione pergole . Connection roof 033 - 950



Profilo antivento . Antiwind profile 047 - 959



Staffa attacco parete
Wall application bracket

Legenda tecnica . Technical legend

- 1 Guida . Rail
- 2 Staffa attacco parete . Wall application bracket
- 3 Frangitratta intermedio . Middle flowing profile
- 4 Frangitratta terminale . Last flowing profile
- S Sporgenza . Projection
- P Pendenza . Inclination
- L Larghezza . Width
- X Impacchettamento . Packing